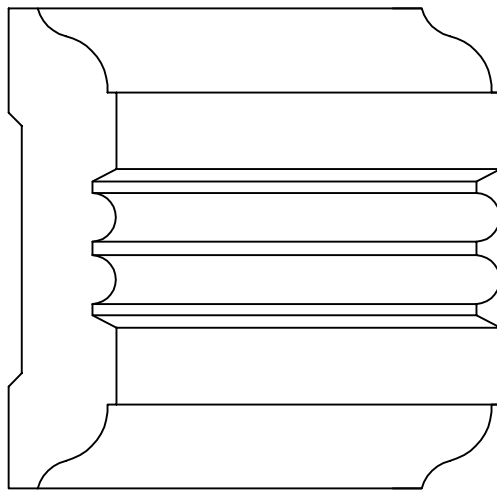


SAW 4402



SAW MOULDING (845)-336-8090		
Full scale	Approved:	Drawn by GS
Date		Revised
SAW 4402		Drawing no. A-1