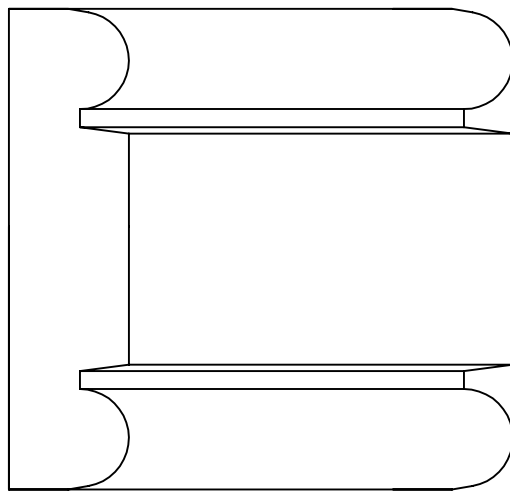


5/8"
x
2-1/2"

SAW 6638



| | | |
|-----------------------------|-----------|-----------------|
| SAW MOULDING (845)-336-8090 | | |
| Full scale | Approved: | Drawn by GS |
| Date | | Revised |
| | | |
| SAW 6638 | | Drawing no. A-1 |