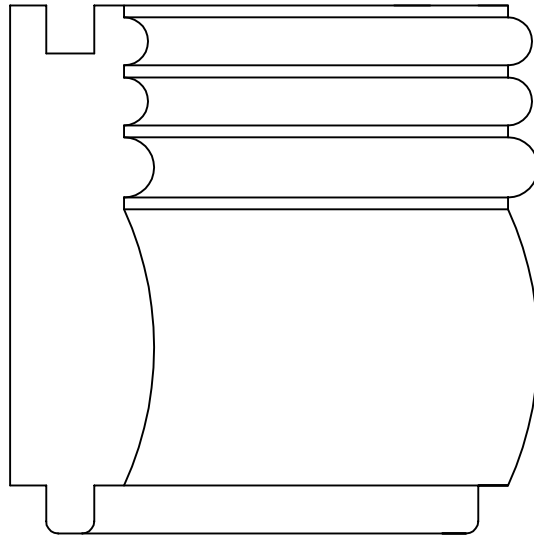


3/4"
x
2-3/4"

SAW 6670



SAW MOULDING (845)-336-8090		
Full scale	Approved:	Drawn by GS
Date		Revised
SAW 6670		Drawing no. A-1